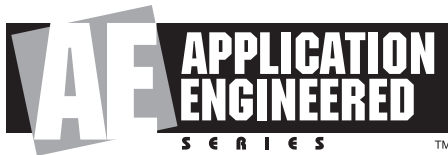




ASB6128V

Extended Response, High Output,
Dual 18" Subwoofer



Key Features:

- ▶ 2 x 18" 2258H NDD™ Neodymium Differential Drive® drives in a folded baffle "V" configuration.
- ▶ Driver motor structures outward for maximum cooling.
- ▶ Large vent area for high output with low distortion.
- ▶ Parallel/Discrete Switchable.
- ▶ Arrays with certain AE Series full-range models (see AE Series Array Guide).

Applications

- ▶ Performing arts facilities
- ▶ Theatrical sound design
- ▶ Auditoriums
- ▶ Houses of worship
- ▶ Live clubs
- ▶ Dance-clubs/discotheques
- ▶ Sports facilities
- ▶ Themed entertainment venues

ASB6128V is a high power subwoofer system comprised of two 460 mm (18 in) NDD Neodymium Differential Drive low frequency drivers in "V"-loaded configuration. The compact cabinet provides a common height with some of the AE Series full-range loudspeaker models, for easy arrayability of multiple cabinets with the subwoofer in the center. The "V"-loaded baffle provides additional sensitivity in the deep-bass region as well as tighter clustering of drivers for better mutual coupling in arrays. A deep cabinet design allows sufficient internal volume for extended low frequency bandwidth with minimum frontal profile. The rectangular cabinet is fitted with M10 threaded suspension points. Pre-engineered array bracketry is available.

ASB6128V is part of JBL's AE Application Engineered Series, a versatile family of loudspeakers for a wide variety of applications.



Specifications:

System:	
Frequency Range (-10 dB):	22 Hz – 300 Hz
Frequency Response (±3 dB):	25 Hz – 300 Hz
Input Modes:	Drivers Parallel / Drivers Discrete
Transducer Power Rating (AES):	2400 W (9600 W peak), 2 hrs
Long-Term System Power Rating ² :	1600 W (6400 W peak), 100 hrs
Maximum SPL:	30 Hz – 100 Hz: 132 dB-SPL cont avg (138 dB peak) 100 Hz – 300 Hz: 136 dB-SPL cont avg (142 peak)
System Sensitivity (dB-SPL, 1W @ 1m):	25 Hz – 80 Hz: 98 dB 80 Hz – 200 Hz: 102 dB
Nominal Impedance:	4 ohms in parallel-drive mode 2 x 8 ohms in discrete-drive mode
Transducers:	
Low Frequency Driver:	2 x JBL 2258H 460 mm (18 in) NDD Neodymium Differential Drive transducers with dual 75 mm (3 in) voice coil
Physical:	
Enclosure:	Rectangular cabinet, 16 mm (5/8 in) exterior grade 11-ply Finnish birch plywood
Suspension Attachment:	13 points (3 top, 3 bottom, 2 each side, 3 rear), M10 threaded hardware
Finish:	Black DuralFlex™ finish. White available upon request.
Grille:	Powder coated 14 gauge perforated steel, with acoustically transparent black foam backing.
Input Connector:	NL4 Neutrik Speakon® and CE-compliant covered barrier strip terminals. Barrier terminals accept up to 5.2 sq mm (10 AWG) wire or max width 9 mm (.375 in) spade lugs. Speakon in parallel with barrier strip for loop-through.
Environmental Specifications:	Mil-Std 810; IP-x3 per IEC529.
Dimensions (H x W x D in vertical cabinet orientation):	967 x 561 x 1215 mm (38.1 x 22.1 x 47.85 in)
Net Weight:	89.8 kg (198 lb)
Optional Accessories:	M10 x 35 mm forged shoulder eyebolts with washers Optional planar array frame kit. See AE Series Bracket Guide

¹AES standard, one decade pink noise with 6 dB crest factor within device's operational band, free air, standard AES 2 hr rating plus long-term 100 hr rating.

²AES standard, one decade pink noise with 6 dB crest factor, in cabinet, long-term 100 hr rating.

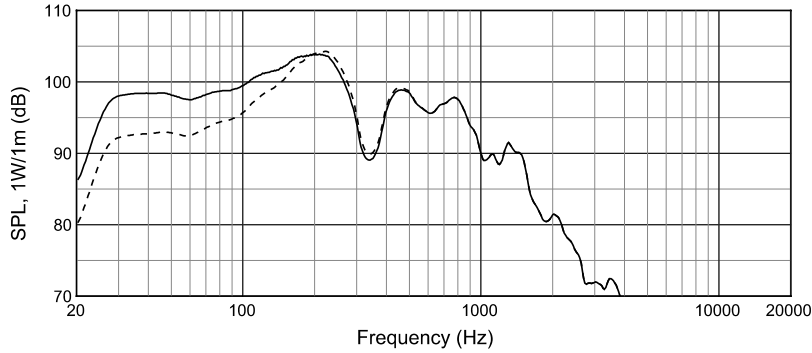
³Calculated based on power rating and sensitivity, exclusive of power compression.

⁴Half-space (2π) loading, averaged in specified frequency band.

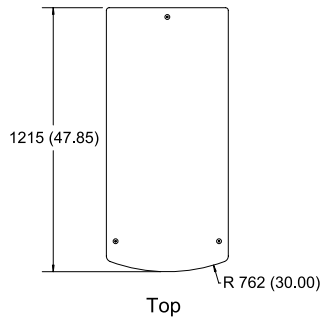
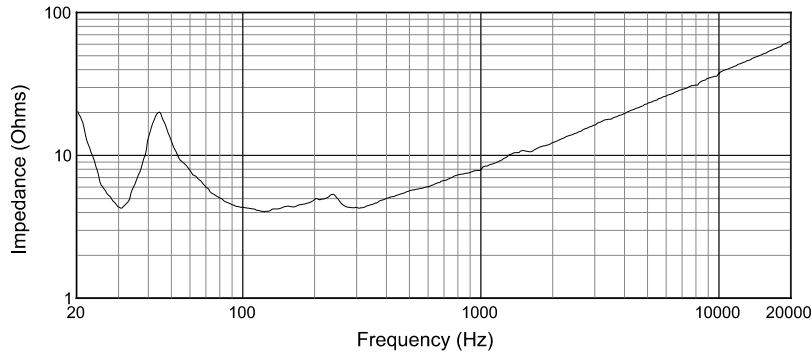
JBL continually engages in research related to product improvement. Changes introduced into existing products without notice are an expression of that philosophy.

▶ ASB6128V Extended Response, High Output, Dual 18" Subwoofer

Frequency response is measured on-axis at a distance referenced to 1 m @ 1 watt (2.0 Vrms) input, shown as half-space (2π , solid line) and full-space (4π , dotted line) environment.



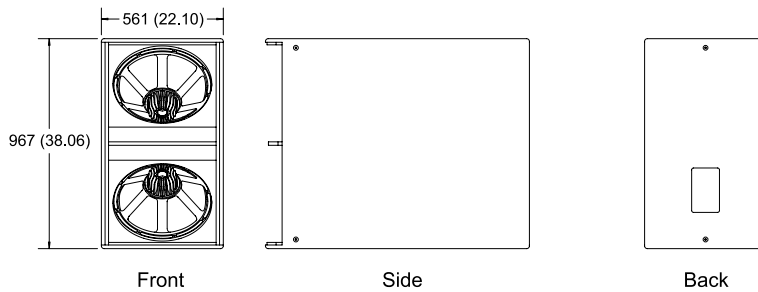
Electrical Input Impedance



Dimensions in mm (in)

For more detailed dimensional information, refer to Application Data Sheet.

This model is not available with WRC or WRX weather protection coatings.



JBL Professional
8500 Balboa Boulevard, P.O. Box 2200
Northridge, California 91329 U.S.A.

■ A Harman International Company
© Copyright 2016 JBL Professional

SS ASB6128V
CRP 10M
8/16